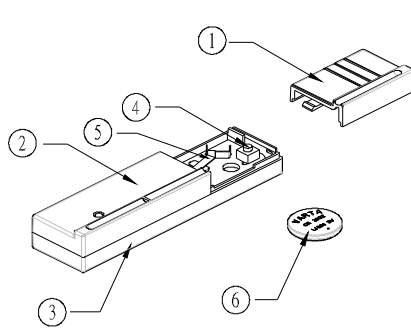
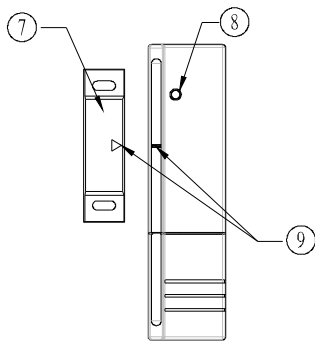


TITAN MAGNETIC CONTACT TRANSMITTER



- ① Battery Compartment Cover
- ② Front Cover
- ③ Rear Cover
- ④ Learning Key / Anti Tamper Switch
- ⑤ Battery Securing Clip
- ⑥ Battery
- ⑦ Magnet
- ⑧ LED Indicator
- ⑨ Alignment Indicators

INTRODUCTION

The battery operated TITAN MAGNETIC CONTACT TRANSMITTER is part of a unique system for home or business use. The unit is primarily intended to activate the TITAN Chime / Alarm Receiver and is designed to protect doors and windows. When a door or window is opened the unit transmits a signal to activate any TRS receivers that are in range and coded to accept the signal.

The unit can also be used to activate all receivers in the TRS range however the unit can only switch receivers ON. No off facility is provided by the magnetic contact transmitter.

Note: Please read this entire manual before you start to install the system.

CHOOSING A MOUNTING LOCATION

The unit should be fixed in place before loading the battery into the transmitter unit.

- DO NOT locate the unit directly above a heat source (e.g. fire, radiator, boiler etc).
- DO NOT allow drill debris to fall inside the unit when drilling the lower mounting hole lug.

The transmitter unit is not weatherproof and must be mounted indoors preferably on the door or window frame. Fix the transmitter unit in place using two small screws suitable for the mounting surface and the fixing holes on the unit (FIGURE 1). Slide off the battery compartment cover to gain access to the lower mounting screw (FIGURE 2).

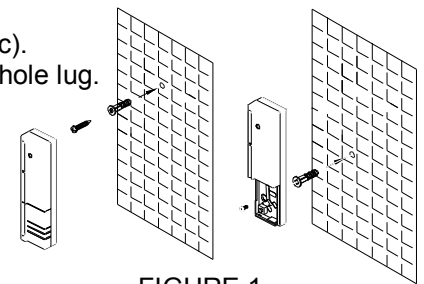


FIGURE 1

Fix the magnet using the two mounting slots with two small screws suitable for the mounting surface and the fixing slots on the magnet preferably on the moving surface of the door or window. The slots are provided to allow the magnet to be move closer to or further away from the transmitter unit. Ensure the alignment markers are lined up and that the magnet is mounted no further than 10mm from the transmitter unit (Figure 3)

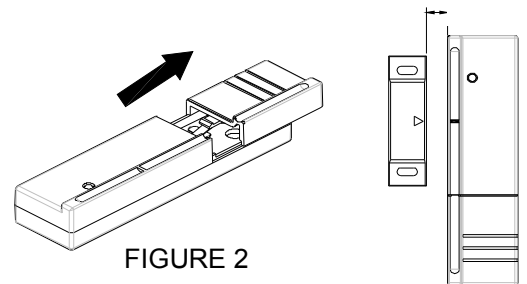


FIGURE 2

FIGURE 3

As an alternative to screws, sticky pads may be used to fix the units.

NB: If mounting on metal frame doors or windows it may be necessary to use non conductive spacers under the magnetic transmitter and the magnet to achieve clean activation and a good signal range.

LOADING THE BATTERY

1) Once the transmitter unit and magnet are fixed in place slide 1 x CR2032-size 3V battery into to the battery compartment with the positive side (+) facing upwards (FIGURE 4).

2) Replace the battery compartment cover when any settings to be made have been completed FIGURE 5).

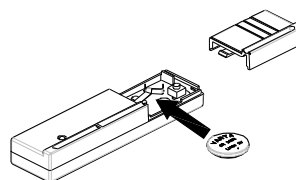


FIGURE 4

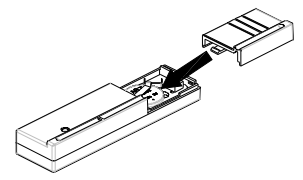


FIGURE 5

FIRST TIME POWER UP

1) To set the TRS receiver(s) to receive signals from this unit first put the TRS receiver(s) into code learning mode. Refer to the instructions for each type of receiver in order to do this.

2) Once the TRS receiver(s) are in code learning mode, and within range, activate the magnetic transmitter learning mode by pushing and holding the Learning Key / Anti Tamper Switch button inside the battery compartment item ④ until the TRS receiver(s) acknowledges receipt of the code.

3) Now establish if the TRS receiver(s) have learnt the code by moving the magnet away from the magnetic transmitter. The TRS receiver(s) will activate. It is not necessary to replace the battery compartment cover in order to carry out this test.

- If the TRS receiver(s) have failed to learn the code repeat steps 1), 2) and 3) above.

When all the settings have been completed replace the battery compartment cover (FIGURE 5) and test the tamper switch operation to do this proceed as follows:.

4) Move the magnet away from the magnetic transmitter. The TRS receiver(s) will activate as a check to ensure the system is functioning correctly. Cancel or allow to time out the activations on the TRS receivers.

5) Slide off the battery compartment cover (FIGURE 5) this will activate the tamper switch and trigger the following receivers that are coded and in range of the magnetic contact transmitter:

- TITAN Receiver Floodlights will flash on and off for approximately 20 seconds.
- TITAN Chime / Alarm Receivers will sound in alarm mode for approximately 30 seconds, be silent for approximately 10 seconds, then sound again for approximately 30 seconds. This will repeat until cancelled on the receiver or for 10 cycles of 30 seconds.

TROUBLE SHOOTING

TRS receivers do not respond to this unit:

- Check polarity of unit batteries.
- Unit battery low or flat.
- Ensure receiver is working and within range.

LED indicator is flashing:

- Unit battery low.

SPECIFICATIONS

Power Requirement	1 x 3v CR2032 Battery
Transmitter Frequency	433MHz
Transmitter Range	Approx 70m (in open space)
Mounting Height	Recommended 1.5m (5ft)
Learning Key	Code learning & tamper
Warm Up Time	Approximately 10 seconds
Index of Protection	IP21 Indoor Use Only
Specifications subject to change without notice.	

Environmental Concerns:

Please DO NOT dispose of electrical appliances as unsorted waste, use the recycling facilities provided by your local authorities.

Please DO NOT dispose of packaging as unsorted waste, use the recycling facilities provided by your local authorities.

