

# TITAN REMOTE SWITCH

The Remote Switch controls the On/Off status of TRS receivers.

## 1. Inserting the Battery:

Using a flat screwdriver to detach the front casing. Fit the A23 12V battery in the compartment with battery terminal '+' to '+' and '-' to '-'. (Fig. 1). Replace the front casing.

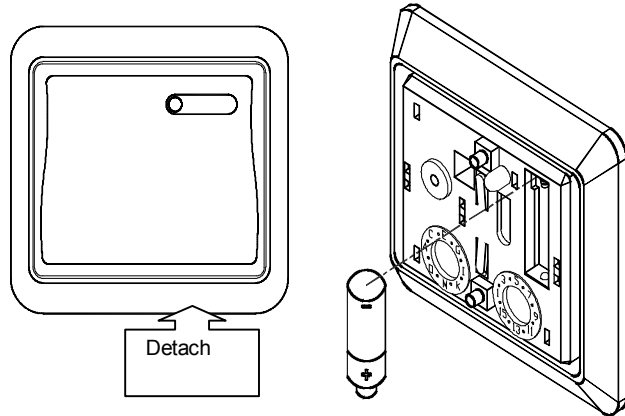


Fig. 1

By pressing the Remote Switch, the LED will illuminate, confirming that the battery has been inserted correctly.

## 2. How to Operate ON/OFF:

To control the TRS receivers On / Off simply press the UPPER part of the Wall Switch (green LED on) to turn on, and press the BOTTOM part of the Wall Switch (red LED on) to turn off the controlled TRS receivers (Fig. 2).

## 3. Transmitting the ID code:

- In order to communicate with the TRS receivers put the receiver(s) into code learning mode. The procedure for learning for the TRS receiver(s) is clearly described on the receiver(s) manual.
- To transmit the coding signal press and hold the lower off section of the switch (Fig. 2) until the receiver(s) acknowledge receipt of the signal.
- Test the system by operating the switch ON / OFF. If the TRS receiver(s) do not respond repeat step 3a) and 3b).

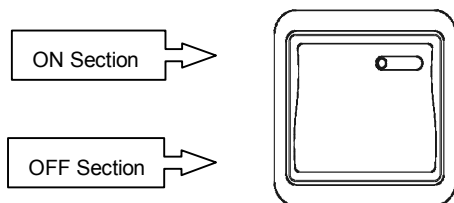


Fig. 2

## 4. Installation:

**Note:** Before affixing the Wall Switch to the wall (or any other surface), you should check if the receiver(s) you want to control are within the transmitting range.

For the best results, fix the Wall Switch on a solid surface, 1.2m above the ground. To affix the Wall Switch to an existing switch wall box, simply secure the bottom casing to the wall box using the screws supplied. Alternatively, you may use double-side tape to affix the switch.

## 5. Troubleshooting:

Symptom	Cause of Failure	Recommendation
LED does not illuminate	1. Battery running low 2. Reverse battery polarity	1. Replace with new battery 2. Ensure battery is inserted with correct polarity
Press Wall Switch, LED illuminates, but the receiver(s) do not respond	1. Distance between the Wall Switch and the receiver(s) too great 2. Battery running low 3. Receivers did not learn ID successfully	1. Move closer to the receivers 2. Replace with new battery 3. Learn ID again

## 6. Specification:

Battery Type	1 x A23 12V
Transmitting Range	70 m (in open space)
Transmitter Frequency	433 MHz

\*\* Specifications subject to change and improvement without notice

