

110° 2-WIRE PIR WALL SWITCH TOWS02

Product Description

2-Wire Wall Surface / Pattress Box Mount 110° PIR Switch



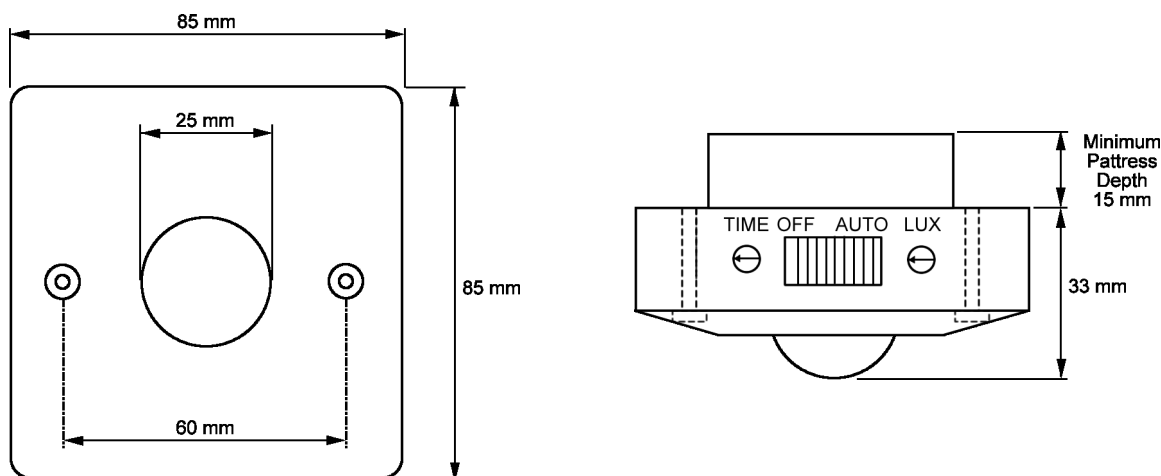
Key Features

- 110° detection angle
- No neutral required
- Manual off / auto slider switch
- Switches up to 6 amps
- Surface / pattress wall mount

Technical Details

- PIR detection angle 110°
- PIR detection range 10m
- Lux level adjustment 10 - 200 Lux
- Time delay adjustment 5 Secs to 40 Mins (10 Steps)
- 6 amps maximum switching load
- Minimum load 40w incandescent / 9w fluorescent
- 2 wire connection live / load
- 3.7v rechargeable lithium battery (supplied)
- Pattress depth 15mm minimum
- Recommended mounting height 1.0 - 1.8m
- Class 2
- IP21 rated when installed

Dimensions



TOWS02 Installation Notes

NOT suitable for use in area's where continuous triggering may occur. e.g. schools, colleges, public area's etc.

Units must NOT be connected together.

Wall mount only 1.0 - 1.8m

Unit requires a MINIMUM of 14 hours inactivity per 24 hours to maintain the internal battery.