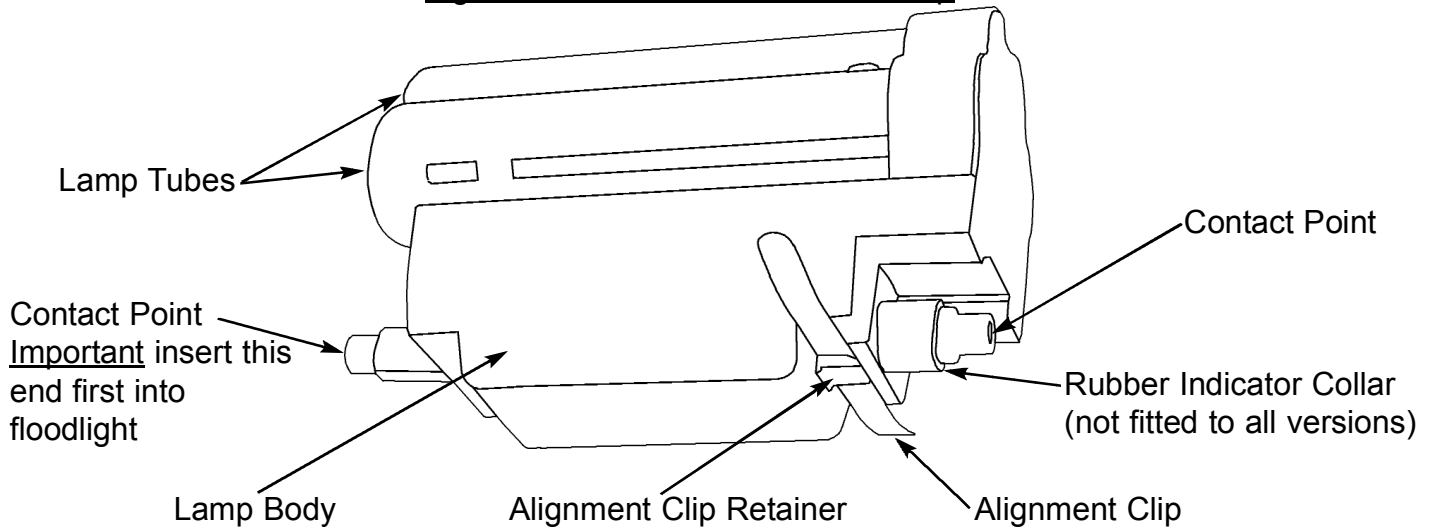


# TITAN 21/24 WATT 118 FLUORESCENT LAMP

## INSTALLATION GUIDE 118MM 240V and 110V VERSIONS

The Titan 21/24 watt 118 Fluorescent Lamp (TES118) is designed to fit most floodlights that normally accept a standard 118mm Tungsten Halogen Lamp. The TES118 simply fits straight into the floodlight between the floodlight lamp holder contact points.

Figure 1 - TES118 Fluorescent Lamp



### Before proceeding with lamp installation:

- **WARNING** isolate the floodlight fitting from the power supply
- **DO** ensure that the lamp voltage matches your floodlight supply voltage 240v or 110v
- **DO** follow the floodlight manufacturers instructions for lamp removal / replacement
- **DO** ensure the floodlight has cooled after use before commencing
- **DO** handle the TES118 lamp with care gripping only the lamp body not the lamp tubes (Figure 1)

When the original 118mm TH Lamp has been removed from the floodlight proceed as follows:

### Prepare the floodlight:

1. Locate the floodlight reflector retaining screw(s) remove the screw(s) and then remove the floodlight reflector.
2. Inspect the lamp holder contact points and ensure they are in good clean condition.
3. Check the lamp holder contact point tension springs (if fitted) to ensure they are in good condition. If the lamp holders are mounted on steel plate brackets bend the brackets inward (approximately 3mm each) to ensure firm tension when the new lamp is installed.
4. Replace the floodlight reflector and fixing screws(s).

### Prepare the TES118 lamp:

5. Locate and slide the alignment clip into the alignment clip retainer on the TES118 (Figure 1).
6. Identify the rubber indicator collar on the TES118 (if fitted) (Figure 1). In most cases this can be left in place. It is simply an indicator to confirm the version of the lamp. If it obvious that the rubber indicator collar will interfere with the lamp holder, fitted to your floodlight, remove the rubber indicator collar.

### Install the TES118 lamp:

7. Grip the TES118 lamp body and offer the TES118 up to the floodlight. It is important to insert the correct end of the TES118 into the floodlight first. Insert the end of the TES118 opposite to the alignment clip onto the appropriate lamp holder contact point. Ensure visually that the TES118 contact point and lamp holder contact point are correctly aligned and engaged. Then simply push the alignment clip end of the TES118 straight into the other lamp holder contact until it engages. During this process the alignment clip (Figure 1) will come under tension against the floodlight reflector to hold the lamp in the correct position vertically.

Re-assemble and test the floodlight for correct operation\*.

\*If the TES118 lamp fails to light repeat appropriate steps above to ensure good contact between TES118 contact points and the lamp holder contact points. NB insufficient contact pressure and/or poor contact point condition will shorten lamp life.